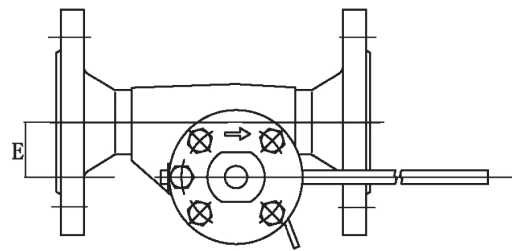
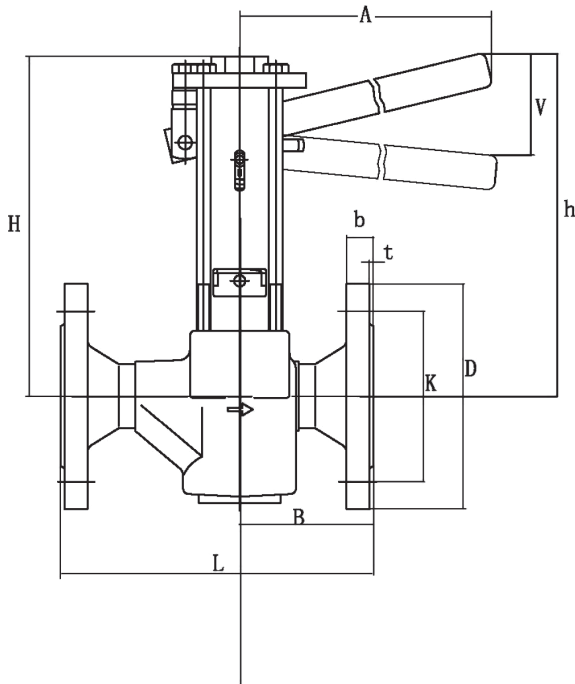


**VMX Rapid Action
Intermittent Boiler Blow Down Valve**

DOUBLE SEATED and ZERO LEAKAGE VAVE PA 46	DN 20-50	PN 40	Flanges DIN/ANSI
--	---------------------	------------------	-----------------------------



APPLICATION

The Rapid Action Intermittent Blow Down Valve for:
Steam - waste heat boilers and marine installation.

RANGE

Max service pressure (barg) / psig	40/580	35/510	32/465
Max temperature (°C)	120	200	250

DESCRIPTION

The valve will open by pressing down hand lever and will close the double seated plug automatically by the integrated on release of the lever.

DESIGN

Straight through valve with flanges or welding ends.
The hand lever has a locking device.

MATERIALS

Valve body:	Forged steel C 22.8 with hardened stainless steel first and second seat.
Valve Stem and plug	1 Cr 13
Seat	Hardened stainless steel 1.4034 (X 46 Cr 13)

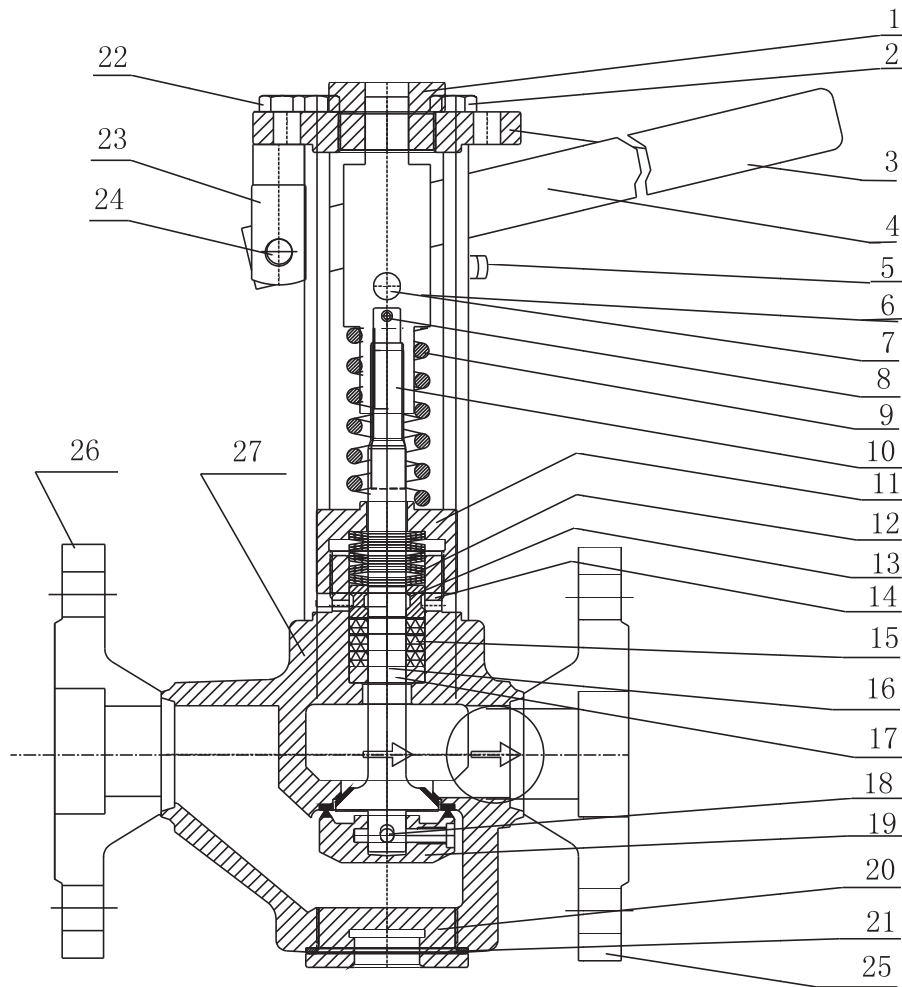
CONNECTION

Flanges to DIN; PN 40 (BS 4504); to ANSI B 16.5 (BS 1560) 150/300 RF or
Butt welded ends to DIN or ANSI on extra cost

DIMENSIONS

DN	L	h	A	H	V	B	D	b	K	l	No.: bolts	Weight KG
20/ ¾"	150	310	475	240	174	68	105	18	75	14	4	11
25/1"	160	310	475	240	174	73	115	18	85	14	4	12
32/1 ¼"	180	310	475	240	174	83	140	18	100	18	4	13
40/1 ½"	200	320	470	250	204	83,5	150	18	110	18	4	117
50/ 2"	230	320	470	250	204	98,5	165	20	125	18	4	18

Design of VMX PA 46 & PA 47



Blowdown Valve

Name	No	Material	Qty
plate	1	A105	1
stud	2	42CrMo4	4
Pressure plate	3	A105	1
lever	4	25	1
limit lock	5	25	1
spring seat	6	1Cr13	1
shaft	7	1Cr13	1
shaft	8	1Cr13	1
adjust spring	9	50CrVA	1
stem with plug	10	1Cr13	1
gland	11	1Cr13	1
spring	12	50CrVA	15
packing gland	13	1Cr13	3
Spring cover	14	25	1

Name	No	Material	Qty
packing	15	PTFE	1
gasket	16	XB450	2
packing box	17	1Cr13	1
Pin-screw with sealing ring	18	1Cr13	1
flex-plug 1.seat	19	A105	1
plug	20	1Cr13	1
O-gasket	21	304	1
bolt	22	42CrMo	1
position limit	23	CK22	1
pin	24	1Cr13	1
Inlet Flange	25	A105N	1
Outlet Flange	26	A105N	1
body	27	A105N	1